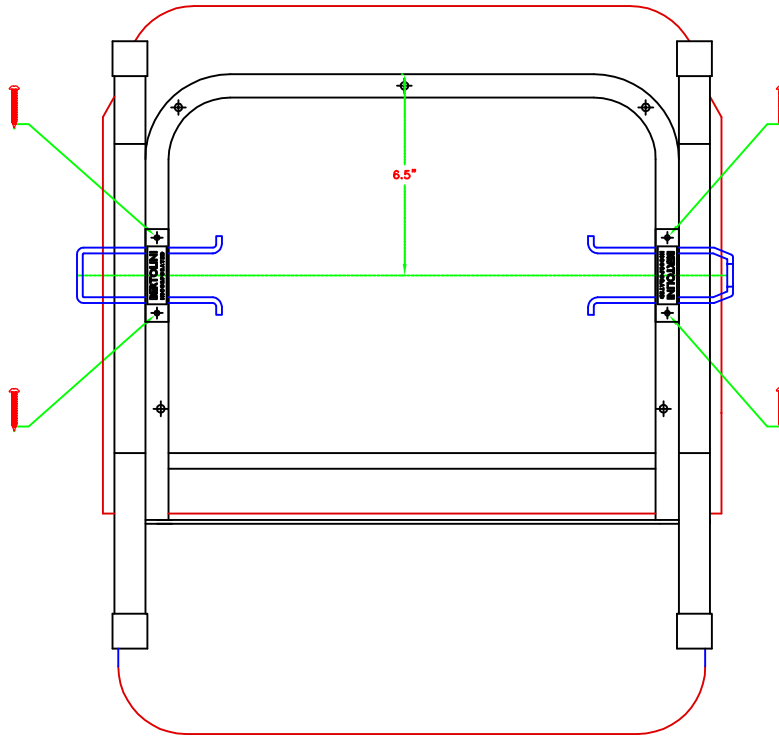
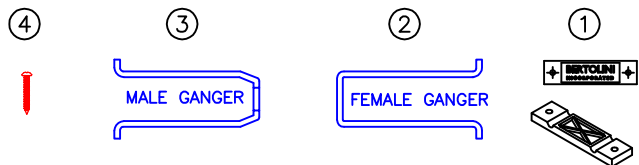
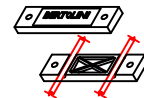


THIS IS NOT AN OFFICIAL DRAWING UNLESS MARKED WITH A CONTROL STAMP IN RED INK.
 NOTES: UNLESS OTHERWISE SPECIFIED

		REVISION			
LTR	ECO NO	DESCRIPTION	DATE	CHK	APVD
		NEW RELEASE	06-24-13		



1. TURN THE CHAIR UPSIDE DOWN WITH THE BACK REST CLOSEST TO YOU.
2. USING A STRAIGHT EDGE, MEASURE 6.5" FROM THE TOP OF THE SEAT FRAME AND DRAW A MARK OVER THE 3/4" SEAT TUBE ON BOTH SIDES.
3. PLACE THE WIRE FORM-GANGER (MALE/FEMALE) IN BETWEEN THE PLASTIC RETAINERS (MAKE SURE THAT THE "BERTOLINI" LOGO APPEARS ON OUTSIDES.)
4. CENTER THE MALE GANGER ASSEMBLY ON THE RIGHT SIDE MARK AND ATTACH TO THE CHAIR FRAME USING THE SCREWS PROVIDED.
3. CENTER THE FEMALE GANGER ASSEMBLY ON THE LEFT SIDE MARK AND ATTACH TO THE CHAIR FRAME USING THE SCREWS PROVIDED.



TOOLS REQUIRED:

- * DRILL
- * PHILLIPS DRIVER BIT
- * STRAIGHT EDGE
- * MARKER

ITEM	QTY	PART NO	DESCRIPTION
4	4	T01020	SCREW, #8 x 1-1/4", PAN HEAD PHILLIPS SDS, BK
3	1	S01057	MALE GANGER EXTENDED
2	1	S01058	FEMALE GANGER EXTENDED
1	4	H01007-A	GANGER HOLDER, VIRGIN ABS UNIVERSAL

<small>UNLESS OTHERWISE SPECIFIED DIMENSIONS ARE IN INCHES TOLERANCES: X FRACTION 1/4 X/X FRACTION 1/8</small> <small>ANGLES ± 1/2° INTERPRET DWG PER DDD-0-1000 SURFACE FINISH: 125 ✓ BREAK SHARP EDGES TO .015 R. OR CHAMFER FILLETS: .015 R. MAX.</small>	DRAWN F. FLORES DESIGNER BERTOLINI APPROVAL 06-24-13 MATERIAL SEE PARTS LIST	BERTOLINI INC. 13941 Norton Ave. Unit A Chino, CA 91710 TITLE 6305F RETRACTABLE INTERLOCKS INSTALLATION INSTRUCTIONS	SIZE D DWG NO 6305F - INSTALLATION INSTRUCTIONS FILENAME 6305F - INSTALLATION INSTRUCTIONS	REV. A SHEET 1 of 1
	SCALE NONE			

PROPRIETARY NOTICE

THE DATA CONTAINED HEREIN CONSTITUTES PROPRIETARY INFORMATION OF BERTOLINI INC., AND SHALL NOT BE USED, DUPLICATED OR DISCLOSED IN WHOLE OR IN PART WITHOUT THE PRIOR WRITTEN CONSENT OF BERTOLINI INC.